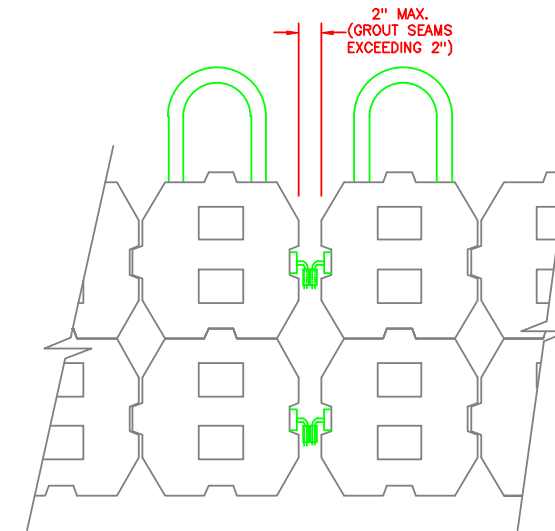
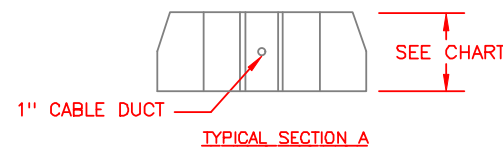
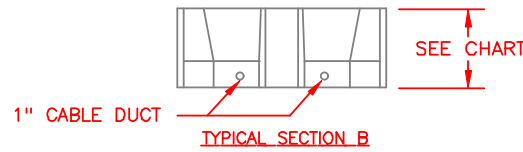
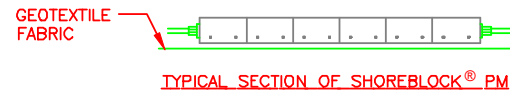
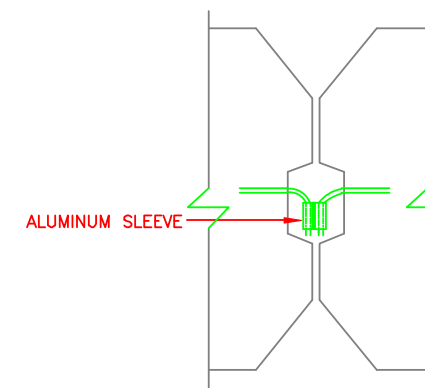


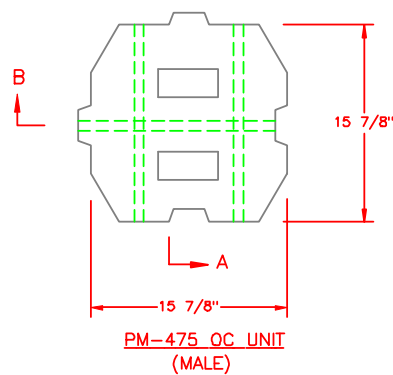
SHOREBLOCK® PM MAT ASSEMBLY DETAIL  
N.T.S.



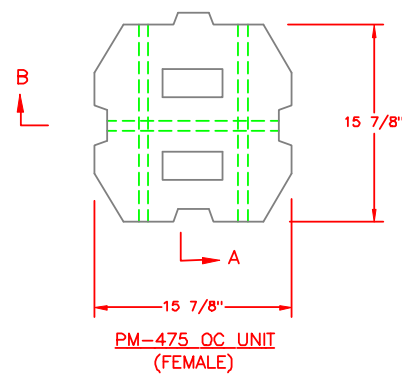
TYPICAL CONNECTION OF TWO MATS



TYPICAL SECTION OF CONNECTOR  
N.T.S.



PM-475 OC UNIT  
(MALE)



PM-475 OC UNIT  
(FEMALE)

**TECHINCAL SPECIFICATIONS**

- 1) SHOREBLOCK® PM UNITS ARE MANUFACTURED IN ACCORDANCE WITH ASTM C90 AND C140 AND THE FOLLOWING CRITERIA:
  - A) CONCRETE UNIT WEIGHT 130 - 150 LBS/CF
  - B) MINIMUM COMPRESSIVE STRENGTH - 4,000 PSI.
  - C) MAXIMUM ABSORPTION - 5 %
  - D) DIMENSIONAL TOLERANCE ± 1/8"
- 2) GALVANIZED OR POLYESTER CABLING

**NOTE:**  
FEMALE BLOCK ARE USED ON THE OUTSIDE OF THE MATS TO ALLOW CRIMPING.

**CHART**

UNIT	WEIGHT LBS.	COVERAGE (lbs/sq.ft)	OPEN AREA
PM-400 OC	56 - 62	32 - 35	20%
PM-500 OC	71 - 76	40 - 44	20%
PM-600 OC	86 - 93	50 - 54	20%
PM-800 OC	114 - 130	66 - 72	20%
PM-900 OC	127 - 146	73 - 82	20%

**ASSEMBLY SPECIFICATIONS**

- 1) SHOREBLOCK® PM UNITS ARE SHOP ASSEMBLED IN A CABLED MATTERESS AS SHOWN ABOVE.
- 2) SHOREBLOCK® PM MATS ARE PLACED BY THE CONTRACTOR IN THE FIELD ON PREPARED SLOPES PER THE CONTRACT DRAWINGS.

**SHORETEC® L.L.C.**

510 O'NEAL LANE  
Baton Rouge, Louisiana 70819  
(225) 408-1444 - Phone  
(225) 408-1445 - Fax  
www.shorettec.com

Client:

Scale:  
N.T.S.

Drawn By:  
A. CASE

File Name:

Title:

SHORETEC® PM PIPELINE MAT SERIES  
OPEN CELL

Project No:

Drawing No:

33

No.	Date	Revision	By

**DISCLAIMER**  
THE INFORMATION CONTAINED HEREIN HAS BEEN COMPILED BY SHORETEC® LLC AND TO THE BEST OF OUR KNOWLEDGE, ACCURATELY REPRESENTS THE SHOREBLOCK® PRODUCT USE IN THE APPLICATIONS WHICH ARE ILLUSTRATED. FINAL DETERMINATION OF THE SUITABILITY FOR THE USE CONTEMPLATED AND ITS MANNER OF USE ARE THE SOLE RESPONSIBILITY OF THE USER. STRUCTURAL DESIGN AND ANALYSIS SHALL BE PERFORMED BY A QUALIFIED ENGINEER.

THIS DRAWING IS BEING FURNISHED FOR THIS SPECIFIC PROJECT ONLY. ANY PARTY ACCEPTING THIS DOCUMENT DOES SO IN CONFIDENCE AND AGREES THAT IT SHALL NOT BE DUPLICATED IN WHOLE OR IN PART, NOR DISCLOSED TO OTHERS WITHOUT THE CONSENT OF SHORETEC® L.L.C.